

单通道断路器

1-CHANNEL CIRCUIT BREAKERS

电子单通道断路器EasyB能够为24V直流电路提供可靠保护。这些设备可通过通信总线进行控制和读取。可以轻松设置触发电流，让应用变得更加灵活。通过最大限度地增加灵活性，让断路器性能更出色。模块化设计最多可实现40通道的串联。

The electronic 1-channel circuit breakers EasyB reliably protect 24 V DC circuits. These devices can be controlled and read via communication buses. Tripping currents can be easily set and offer a high flexibility in the application.



The circuit breakers excel thanks to maximum flexibility. The modular design makes it possible to arrange up to 40 channels in series.

HIGHLIGHTS

所有信号等级的自动接通
AUTOMATIC FEEDTHROUGH OF
ALL SIGNAL LEVELS

通过通信模块可选择总线
连接
OPTIONAL BUS CONNECTION
VIA COMMUNICATION MODULE

最多可并排安装40个断路器
UP TO 40 CIRCUIT BREAKERS
MOUNTABLE SIDE BY SIDE



多通道断路器

MULTICHANNEL CIRCUIT BREAKERS

智能多通道 Economy 和 Basic 型 eBreaker 配备双线式接口，可在更高级别的控制系统上轻松实施。一个I/O模块只需一个输入和一个输出，即可控制8通道eBreaker。您可以通过这个接口来开/关各个输出通道，同时读取所有电流分支的电流状态。

多通道eBreaker设计小巧轻薄，极大地降低了对面板电路板的空间要求。您可以通过每个通道的电流选择器开关来确保所有的应用都使用同一种电子断路器。

The intelligent multichannel eBreakers Economy and Basic can be easily implemented in a higher level control system with its two wire interface. Only one input and one output of an I/O module is necessary to control an 8-channel eBreaker. With this interface you can turn on and off each output channel and read out the current status of all your current branches at the same time. Thanks to its slim design the multichannel eBreakers tremendously reduce space requirement on your panel board. The current selector switch for each channel allows you to use just one type of electronic circuit breaker for all your applications.



HIGHLIGHTS

与中央控制系统通信
COMMUNICATION WITH
CENTRAL CONTROL SYSTEM

远程打开/关闭任何通道
REMOTE SWITCH-ON/OFF OF
ANY CHANNEL



全球化的公司

A GLOBAL COMPANY



- 总部和生产基地 Headquarter and production sites
- 生产基地 Production sites
- 子公司 Subsidiaries
- 全球代理 International agencies



工厂1, 德国



工厂2, 德国



工厂3, 美国

博力科电气贸易（上海）有限公司
BLOCK Electronics Trading (Shanghai) Co., Ltd.
Room 224, Building 8, No. 2-42, Lane 433, Yuyuan Road,
Jing'an District Shanghai, 200040 • P.R. China
电话 +86 21 62372310 • 传真 +86 21 52300176
info@block-china.cn • www.block-china.cn

电子断路器

ELECTRONIC CIRCUIT BREAKERS

版本 / 技术数据

Versions / Technical data



单通道断路器

1-CHANNEL CIRCUIT BREAKERS

EASYB 单通道 1-CHANNEL

热磁性
THERMOMAGNETIC



尺寸:
Dimensions:
A: 3.9 in
B: 0.5 in
C: 2.4 in



订货号

电流限制
CURRENT-LIMITING



尺寸:
Dimensions:
A: 3.9 in
B: 0.5 in
C: 2.4 in



订货号

电流限制
CURRENT-LIMITING



尺寸:
Dimensions:
A: 3.9 in
B: 0.5 in
C: 2.4 in



订货号

0.5-10 A = 0.5/1/2/3/4/6/8/10 A

新	24 Vdc / 1 A	EB-2724-010-0
新	24 Vdc / 2 A	EB-2724-020-0
新	24 Vdc / 3 A	EB-2724-030-0
新	24 Vdc / 4 A	EB-2724-040-0
新	24 Vdc / 6 A	EB-2724-060-0
新	24 Vdc / 8 A	EB-2724-080-0
新	24 Vdc / 10 A	EB-2724-100-0

新	24 Vdc / 1 A	EB-2824-010-0
新	24 Vdc / 2 A	EB-2824-020-0
新	24 Vdc / 3 A	EB-2824-030-0
新	24 Vdc / 4 A	EB-2824-040-0
新	24 Vdc / 6 A	EB-2824-060-0
新	24 Vdc / 8 A	EB-2824-080-0
新	24 Vdc / 10 A	EB-2824-100-0

新	24 Vdc / 1 A	EB-1824-010-0
新	24 Vdc / 2 A	EB-1824-020-0
新	24 Vdc / 3 A	EB-1824-030-0
新	24 Vdc / 4 A	EB-1824-040-0
新	24 Vdc / 6 A	EB-1824-060-0
新	24 Vdc / 8 A	EB-1824-080-0
新	24 Vdc / 10 A	EB-1824-100-0

新	24 Vdc 1x0,5-10 A	EB-3824-100-0
新	24 Vdc 1x0,5-10 A	EB-0824-100-0

通讯接口
Communication interface

预设触发电流
Preset tripping currents

触发电流可通过接口调节
Tripping currents adjustable via interface

触发电流可通过电流选择器开关或接口调节
Tripping currents adjustable via current selector switch or interface

EASYB 配件 ACCESSOIRES

通信模块
Communication module



订货号

EB-MODBUS-RTU

输出分布模块
Output distribution module



订货号

EB-PMM

接地分布模块
Ground distribution module



订货号

EB-GND4

新
EB-GND8

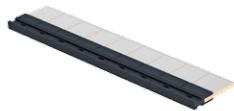
左侧盖板
Left side cover



订货号

EB-COV

电源总线
Power Bus Bar



订货号

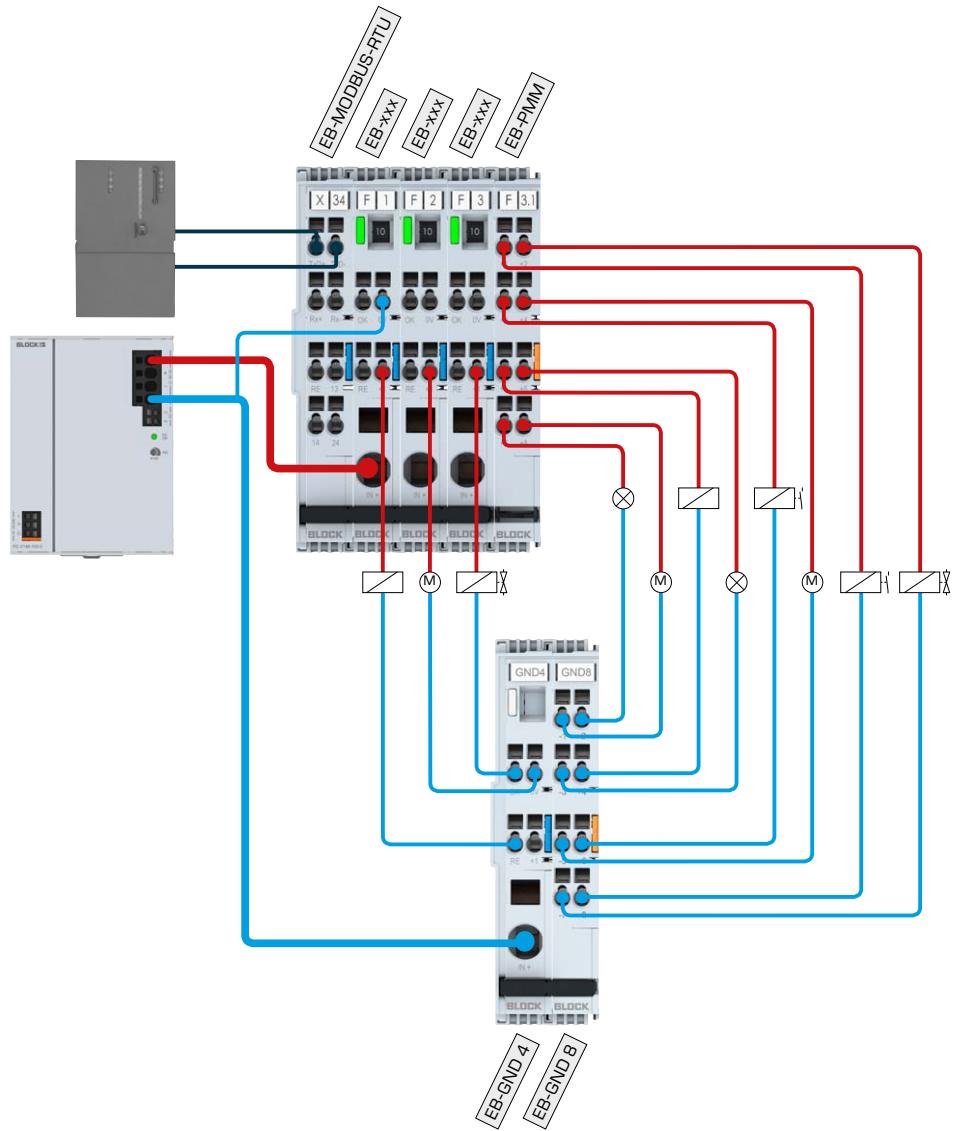
EB-BAR 2...41

带有通信模块和输出分配模块的单通道断路器的安装

Installation of 1-channel circuit breaker with communication module and output distribution module

可选接地分配模块

Optional with ground distribution module



多通道断路器

MULTICHANNEL CIRCUIT BREAKERS

ECONOMY SMART 8/4/2通道 8/4/2-CHANNEL

热磁性 THERMOMAGNETIC



尺寸:
Dimensions:
A: 5 in
B: 1.7 in
C: 4.6 in



尺寸:
Dimensions:
A: 3.5 in
B: 1.8 in
C: 3.6 in



订货号



尺寸:
Dimensions:
A: 3.5 in
B: 1.8 in
C: 3.6 in



订货号

触发电流可通过电流选择器开关调节:

Tripping currents adjustable via current selector switch:

1-6 A = 1/2/3/4/5/6 A
2-10 A = 2/3/4/6/8/10 A

订货号	12 Vdc / 4 x 2-10 A	PM-0712-400-0	12 Vdc / 2 x 2-10 A	PM-0712-200-0
24 Vdc / 8 x 1-6 A PC-0724-480-0	24 Vdc / 4 x 1-6 A PM-0724-240-0		24 Vdc / 2 x 1-6 A PM-0724-120-0	
24 Vdc / 8 x 2-10 A PC-0724-800-0	24 Vdc / 4 x 2-10 A PM-0724-400-0		24 Vdc / 2 x 2-10 A PM-0724-200-0	
24 Vdc / 8 x 2-10 A PC-0724-800-1	24 Vdc / 4 x 2-10 A PM-0724-400-1		24 Vdc / 2 x 2-10 A PM-0724-200-1	
24 Vdc / 8 x 2-10 A PC-0724-800-2	24 Vdc / 4 x 2-10 A PM-0724-400-2			
48 Vdc / 8 x 2-10 A PC-0748-800-0	48 Vdc / 4 x 2-10 A PM-0748-400-0		48 Vdc / 2 x 2-10 A PM-0748-200-0	
48 Vdc / 8 x 2-10 A PC-0748-800-2	48 Vdc / 4 x 2-10 A PM-0748-400-2		48 Vdc / 2 x 2-10 A PM-0748-200-2	

配备插入式弹簧负载端子
With plug-in spring-loaded terminal
(深度增加25.5 mm)
(depth increased by 25.5 mm)

无电位信号输出
Potential free signal output

多通道断路器 MULTICHANNEL CIRCUIT BREAKERS



ECONOMY REMOTE

8/4/2通道 8/4/2-CHANNEL

热磁性 THERMOMAGNETIC



尺寸:
Dimensions:
A: 5 in
B: 1.7 in
C: 4.6 in



订货号

**24 Vdc / 8 x
2-10 A**

PC-3724-800-0



尺寸:
Dimensions:
A: 5 in
B: 1.7 in
C: 4.6 in



订货号

**24 Vdc / 4 x
2-10 A**

PM-3724-400-0



尺寸:
Dimensions:
A: 3.5 in
B: 1.8 in
C: 3.6 in



订货号

**24 Vdc / 2 x
2-10 A**

PM-3724-200-0

可通过双线式接口调节触发电流:

Adjustable tripping currents
via 2-wire interface:

2-10 A = 2/3/4/6/8/10 A

出厂设置
触发电流: 10 A

Factory set

Tripping currents: 10 A

BASIC SMART

8/4/2通道 8/4/2-CHANNEL

电流限制 CURRENT-LIMITING



尺寸:
Dimensions:
A: 5 in
B: 1.7 in
C: 4.2 in



订货号

**24 Vdc / 8 x
0.5-6 A**

PC-0824-480-0



尺寸:
Dimensions:
A: 3.5 in
B: 1.8 in
C: 3.6 in



订货号

**24 Vdc / 4 x
0.5-6 A**

PM-0824-240-0



尺寸:
Dimensions:
A: 3.5 in
B: 1.8 in
C: 3.6 in



订货号

**24 Vdc / 2 x
0.5-6 A**

PM-0824-120-0

**24 Vdc / 8 x
0.5-6 A**

PC-0824-480-1

**24 Vdc / 4 x
0.5-6 A**

PM-0824-240-1

**24 Vdc / 2 x
0.5-6 A**

PM-0824-120-1

**24 Vdc / 4 x
2-12 A**

PM-0824-480-0

**24 Vdc / 2 x
2-12 A**

PM-0824-240-2

触发电流可通过电流选择器开关调节:

Tripping currents adjustable
via current selector switch:

0.5-6 A = 0.5/1/2/3/4/6 A
2-12 A = 2/4/6/8/10/12 A

配备插入式弹簧负载端子
With plug-in spring-loaded terminal
(深度增加25.5 mm)
(depth increased by 25.5 mm)

BASIC FIX

4/2通道 4/2-CHANNEL

电流限制 CURRENT-LIMITING



尺寸:
Dimensions:
A: 3.5 in
B: 1.8 in
C: 3.6 in



订货号

**24 Vdc / 4 x
3.8 A**

PM-9824-152-0



尺寸:
Dimensions:
A: 3.5 in
B: 1.8 in
C: 3.6 in



订货号

**24 Vdc / 4 x
3.8 A**

PM-9824-076-0

**24 Vdc / 4 x
6 A**

PM-2824-240-0

**24 Vdc / 4 x
6 A**

PM-2824-120-0

**24 Vdc / 2 x 3 A +
2 x 6 A**

PM-2824-180-0

预设触发电流
Preset tripping currents

NEC 2级
NEC Class 2