

LINE REACTORS

REACTORES EN LÍNEA

LR3 480 V

Versions / Technical data
Versiones / Datos técnicos

3 % Z
4 % Z
5 % Z

C  US
LISTED



LINE REACTORS LR3 480 V

REACTORES EN LÍNEA LR3 480 V

The LR3 line reactors reduce harmonics and thereby protect your systems against costly downtimes. The well thought-out, completely redesigned structure of the LR3 allows fast and easy installation in even the tightest of spaces. And like all BLOCK products, the reactor range meets the high safety and quality requirements for tough industrial use.

Los reactores en línea LR3 reducen las corrientes armónicas y por lo tanto protegen sus sistemas de los costosos tiempos de inactividad. La estructura del LR3 está completamente rediseñada de forma inteligente, lo cual permite que su instalación sea rápida y fácil, incluso en los lugares más estrechos. Además, al igual que todos los productos de BLOCK, el alcance del reactor cumple con las normas de alta calidad y seguridad que requieren las aplicaciones industriales pesadas.

IMPEDANCE SELECTION

OPCIONES DE IMPEDANCIA

Low impedance (Low Z) is a most common selection to absorb power line and motor current spikes. Based in its frequency depending impedance, slight harmonic mitigation is also a benefit of this impedance range.

Mid impedance (Mid Z) is an excellent choice if higher power line and motor current spikes absorption is needed. Also a better harmonic reduction can be achieved by choosing Mid Z reactors.

High impedance (Hi Z) is the optimized solution for harmonic suppression. Even commutation drops, power line spikes and flicker, based on pulsed power loads, will be reduced as much as possible with a line reactor.

$$\text{Impedance [\%]} = \frac{I * 2\pi * f * L * \sqrt{3}}{V_{L-L}}$$

La impedancia baja (Baja Z) es la opción más común para absorber el voltaje de línea y los picos de corriente del motor. En función de su frecuencia y según su impedancia, las reducciones armónicas ligeras son una ventaja de este rango de impedancia.

La impedancia media (Media Z) es una opción excelente si se necesita una mayor absorción de voltajes en línea y de picos de corriente del motor. También se logra una mejor reducción armónica al elegir los reactores con impedancia Media Z.

La alta impedancia (Alta Z) es la solución optimizada para la eliminación de armónicos. Incluso las caídas de conmutación, el pico del voltaje de línea y la fluctuación, basado en las cargas de potencia pulsada, se reducirán tanto como sea posible con un reactor de línea.

$$\text{Impedancia [\%]} = \frac{I * 2\pi * f * L * \sqrt{3}}{V_{L-L}}$$

SPECIFICATIONS

ESPECIFICACIONES

Rated voltage	Voltaje nominal	480 V
Impedance	Impedancia	3 %, 4 % or 5 %
Rated frequency	Frecuencia nominal	50 - 60 Hz
Inductivity	Inductividad	0.014 - 18.500 mH
Insulation class	Clase de aislamiento	B, F or H
Ambient temperature	Temperatura ambiente	-10 °C to +40 °C
Protection index	Índice de protección	IP 00
Safety class (prepared)	Clase de seguridad (preparada)	I

HIGHLIGHTS

POWER HARMONIC
MITIGATION
ATENUACIÓN DE ARMÓNICOS
DE POTENCIA

INRUSH CURRENT
LIMITATION
ATENUACIÓN DE ARMÓNICOS
ELÉCTRICOS

PEAK CURRENT LIMITATION
LIMITACIÓN DE CORRIENTES
PICO

INCREASES SERVICE LIFE OF
EQUIPMENT
AUMENTO DE LA VIDA ÚTIL
DE SERVICIO DE LAS CARGAS
CONECTADAS

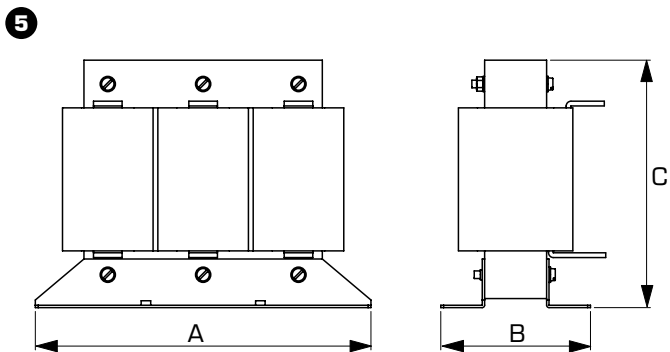
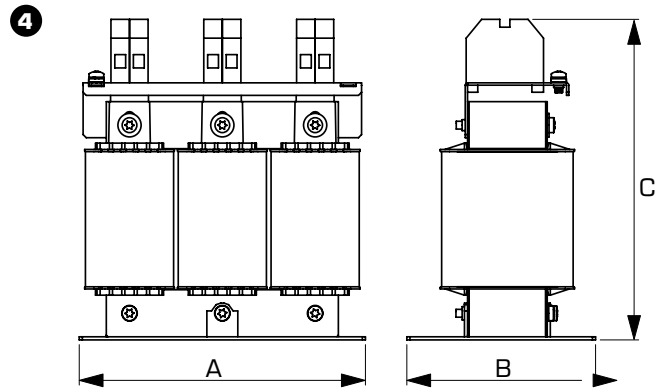
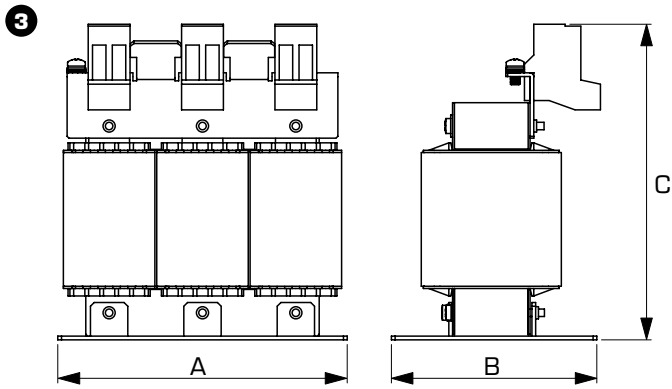
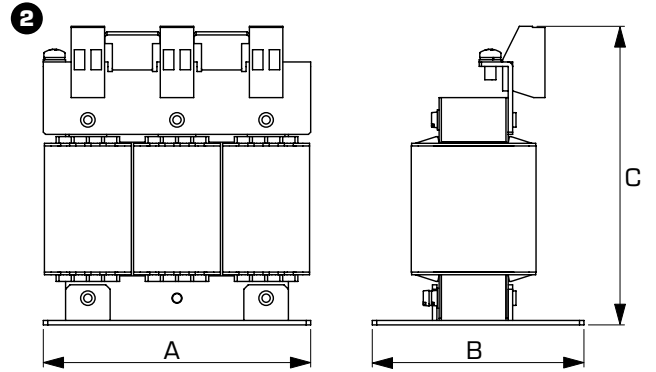
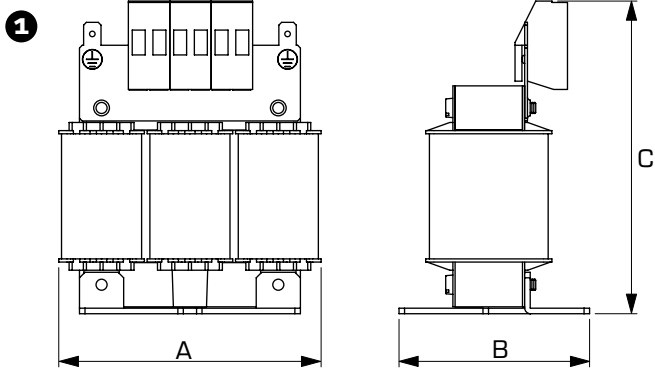
BRIDGING VOLTAGE DIPS
CAÍDAS DE TENSIÓN EN
PARALELO

EXCELLENT CORROSION PRO-
TECTION AND LOW NOISE DUE
TO BLOCKIMPEX VACUUM
IMPREGNATION

MUY BUENA PROTECCIÓN
CONTRA LA CORROSIÓN Y
RUIDO REDUCIDO GRACIAS A
LA IMPREGNACIÓN AL VACÍO
BLOCKIMPEX

DIMENSION PICTURES

IMÁGENES DE LAS DIMENSIONES



480 V - 3 % Low Z

Please click on the item number to get full details from the data sheet.

Order number # de parte a ordenar	HP Rating Capacidad de caballos de fuerza	Inductance (mH) Inductancia (mH)	Rated current (A) Corriente nominal (A)	Insulation class Clase de aislamiento	Weight (lbs) Peso (lbs)	Dimension picture Imágen de las dimensiones	Dimensions (A x B x C in inch) Dimensiones (A x B x C en pulgadas)
LR3 48-3/2	1	11.000	2	B, class 130	1.1	①	4.6 x 2.9 x 2.2
LR3 48-3/4	2	5.500	4	B, class 130	1.7	①	3.9 x 2.9 x 2.5
LR3 48-3/6	3	3.700	6	B, class 130	1.6	①	4.6 x 3.1 x 2.4
LR3 48-3/8	5	2.750	8	F, class 155	2.2	①	4.6 x 3.1 x 2.7
LR3 48-3/10	5 - 10	2.200	10	F, class 155	4.2	②	5.3 x 4.7 x 3.3
LR3 48-3/16	10	1.380	16	F, class 155	5.8	②	5.3 x 4.7 x 3.7
LR3 48-3/20	15	1.100	20	F, class 155	8.2	②	6.4 x 6.1 x 3.7
LR3 48-3/25	15	0.880	25	F, class 155	8.7	②	6.5 x 6.1 x 3.7
LR3 48-3/30	20 - 25	0.740	30	F, class 155	12.6	③	6.6 x 6.1 x 4.3
LR3 48-3/35	20 - 25	0.630	35	F, class 155	12.9	③	6.6 x 6.1 x 4.3
LR3 48-3/40	30	0.550	40	F, class 155	14.1	③	7.7 x 7.3 x 4.0
LR3 48-3/45	30	0.490	45	F, class 155	14.9	③	7.7 x 7.3 x 4.0
LR3 48-3/50	30 - 40	0.440	50	F, class 155	15.2	④	8.2 x 7.3 x 4.0
LR3 48-3/63	40	0.350	63	F, class 155	17.8	④	8.1 x 7.3 x 4.4
LR3 48-3/70	50	0.315	70	F, class 155	21.9	④	8.1 x 7.3 x 4.8
LR3 48-3/80	50 - 60	0.270	80	F, class 155	23.0	④	9.5 x 8.3 x 4.6
LR3 48-3/90	60 - 75	0.245	90	F, class 155	28.9	⑤	7.1 x 8.3 x 4.1
LR3 48-3/100	75	0.220	100	F, class 155	30.5	⑤	7.9 x 10.5 x 4.5
LR3 48-3/115	75	0.193	115	F, class 155	47.1	⑤	7.9 x 10.5 x 5.5
LR3 48-3/125	100	0.177	125	F, class 155	46.9	⑤	8.0 x 10.5 x 5.5
LR3 48-3/160	125	0.138	160	H, class 180	46.0	⑤	8.3 x 11.5 x 5.1
LR3 48-3/180	125 - 150	0.123	180	H, class 180	61.1	⑤	8.3 x 11.5 x 5.9
LR3 48-3/200	150	0.110	200	H, class 180	65.9	⑤	9.1 x 12.4 x 6.5
LR3 48-3/250	200	0.088	250	F, class 155	71.3	⑤	10.4 x 13.9 x 5.7
LR3 48-3/300	250	0.074	300	F, class 155	74.2	⑤	10.4 x 13.9 x 5.7
LR3 48-3/400	350	0.055	400	H, class 180	93.7	⑤	10.4 x 13.9 x 6.2
LR3 48-3/500	400	0.044	500	F, class 155	119.9	⑤	10.5 x 13.9 x 7.2
LR3 48-3/630	450	0.035	630	H, class 180	154.8	⑤	12.5 x 16.2 x 6.8
LR3 48-3/710	500	0.031	710	H, class 180	168.9	⑤	12.5 x 16.2 x 7.4
LR3 48-3/800	750	0.028	800	H, class 180	140.6	⑤	14.8 x 18.9 x 7.3
LR3 48-3/1000	800	0.022	1000	H, class 180	152.0	⑤	14.8 x 18.9 x 7.9
LR3 48-3/1200	1000	0.018	1200	H, class 180	267.3	⑤	16.5 x 21.7 x 8.5
LR3 48-3/1400	1200	0.016	1400	H, class 180	335.5	⑤	16.5 x 21.7 x 9.6
LR3 48-3/1600	1400	0.014	1600	H, class 180	395.9	⑤	16.5 x 21.7 x 10.8

480 V - 4 % Mid Z

Please click on the item number to get full details from the data sheet.

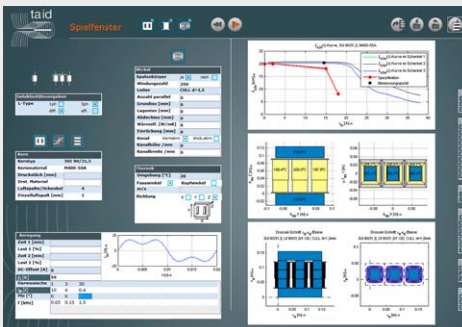
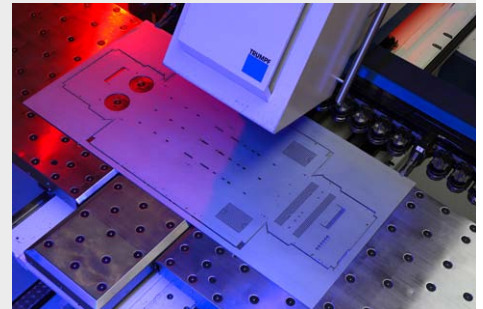
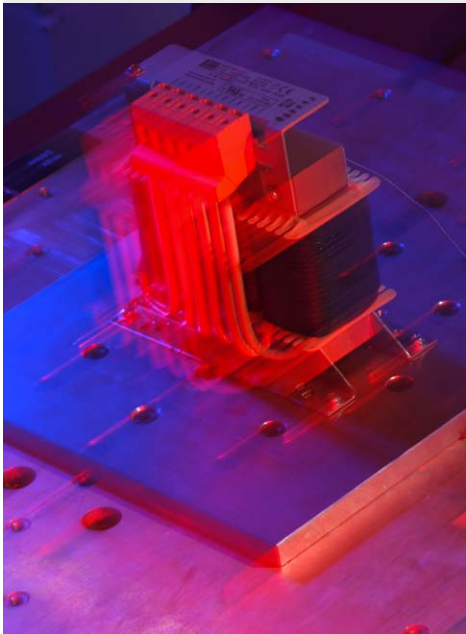
Order number # de parte a ordenar	HP Rating Capacidad de caballos de fuerza	Inductance (mH) Inductancia (mH)	Rated current (A) Corriente nominal (A)	Insulation class Clase de aislamiento	Weight (lbs) Peso (lbs)	Dimension picture Imágen de las dimensiones	Dimensions (A x B x C in inch) Dimensiones (A x B x C en pulgadas)
LR3 48-4/2	1	14.700	2	B, class 130	1.2	①	4.6 x 2.9 x 2.2
LR3 48-4/4	2	7.350	4	B, class 130	2.9	①	4.6 x 3.1 x 2.4
LR3 48-4/6	3	4.900	6	F, class 155	3.2	①	4.6 x 3.1 x 2.7
LR3 48-4/8	5	3.680	8	F, class 155	4.2	②	5.3 x 4.7 x 3.3
LR3 48-4/10	5 - 10	2.940	10	F, class 155	4.4	②	5.3 x 4.7 x 3.3
LR3 48-4/16	10	1.840	16	F, class 155	6.0	②	5.3 x 4.7 x 3.7
LR3 48-4/20	15	1.470	20	F, class 155	8.4	③	6.4 x 6.1 x 3.7
LR3 48-4/25	15	1.180	25	F, class 155	12.8	③	6.6 x 6.1 x 4.3
LR3 48-4/30	20 - 25	0.980	30	F, class 155	12.9	③	6.6 x 6.1 x 4.3
LR3 48-4/35	20 - 25	0.840	35	F, class 155	13.1	③	6.5 x 6.1 x 4.3
LR3 48-4/40	30	0.740	40	F, class 155	15.0	③	7.7 x 7.3 x 4.0
LR3 48-4/45	30	0.650	45	F, class 155	18.2	③	7.7 x 7.3 x 4.4
LR3 48-4/50	30 - 40	0.590	50	F, class 155	18.4	④	8.1 x 7.3 x 4.4
LR3 48-4/63	40	0.470	63	F, class 155	21.3	④	8.1 x 7.3 x 4.8
LR3 48-4/70	50	0.420	70	F, class 155	23.8	④	9.5 x 8.3 x 4.6
LR3 48-4/80	50 - 60	0.370	80	F, class 155	27.6	④	9.4 x 8.3 x 4.9
LR3 48-4/90	60 - 75	0.330	90	F, class 155	35.3	⑤	7.9 x 10.5 x 4.5
LR3 48-4/100	75	0.300	100	F, class 155	41.9	⑤	7.9 x 10.5 x 5.5
LR3 48-4/115	75	0.260	115	H, class 180	46.3	⑤	8.3 x 11.5 x 5.5
LR3 48-4/125	100	0.240	125	H, class 180	48.5	⑤	8.3 x 11.5 x 5.5
LR3 48-4/160	125	0.190	160	H, class 180	56.2	⑤	8.3 x 11.5 x 5.9
LR3 48-4/180	125 - 150	0.170	180	H, class 180	61.7	⑤	8.3 x 11.5 x 6.0
LR3 48-4/200	150	0.150	200	F, class 155	70.5	⑤	10.4 x 13.9 x 5.7
LR3 48-4/250	200	0.120	250	F, class 155	90.4	⑤	10.4 x 13.9 x 6.2
LR3 48-4/300	250	0.098	300	H, class 180	105.8	⑤	10.4 x 13.9 x 6.6
LR3 48-4/400	350	0.074	400	F, class 155	123.5	⑤	10.5 x 13.9 x 7.2
LR3 48-4/500	400	0.059	500	H, class 180	136.7	⑤	10.5 x 13.9 x 7.7
LR3 48-4/630	450	0.047	630	H, class 180	166.4	⑤	12.5 x 16.2 x 7.4
LR3 48-4/710	500	0.042	710	H, class 180	224.9	⑤	14.6 x 18.9 x 7.3
LR3 48-4/800	750	0.037	800	H, class 180	253.5	⑤	14.6 x 18.9 x 7.9
LR3 48-4/1000	800	0.030	1000	H, class 180	319.7	⑤	14.8 x 18.9 x 9.6
LR3 48-4/1200	1000	0.025	1200	H, class 180	352.7	⑤	16.5 x 21.7 x 9.6
LR3 48-4/1400	1200	0.021	1400	H, class 180	410.1	⑤	16.5 x 21.7 x 10.8
LR3 48-4/1600	1400	0.019	1600	H, class 180	443.1	⑤	16.4 x 21.7 x 11.6

480 V - 5 % High Z

Please click on the item number to get full details from the data sheet.

Order number # de parte a ordenar	HP Rating Capacidad de caballos de fuerza	Inductance (mH) Inductancia (mH)	Rated current (A) Corriente nominal (A)	Insulation class Clase de aislamiento	Weight (lbs) Peso (lbs)	Dimension picture Imágen de las dimensiones	Dimensions (A x B x C in inch) Dimensiones (A x B x C en pulgadas)
LR3 48-5/2	1	18.500	2	B, class 130	1.2	①	3.9 x 2.9 x 2.2
LR3 48-5/4	2	9.200	4	B, class 130	1.7	①	4.5 x 3.1 x 2.4
LR3 48-5/6	3	6.200	6	F, class 155	2.4	①	4.6 x 3.1 x 2.7
LR3 48-5/8	5	4.600	8	F, class 155	4.6	①	5.4 x 4.7 x 3.3
LR3 48-5/10	5 - 10	3.680	10	F, class 155	6.3	②	5.4 x 4.7 x 3.7
LR3 48-5/16	10	2.300	16	F, class 155	8.3	②	6.4 x 6.1 x 3.7
LR3 48-5/20	15	1.840	20	F, class 155	12.3	②	6.4 x 6.1 x 4.3
LR3 48-5/25	15	1.470	25	F, class 155	12.6	②	6.5 x 6.1 x 4.3
LR3 48-5/30	20 - 25	1.230	30	F, class 155	14.4	③	7.8 x 7.3 x 4.0
LR3 48-5/35	20 - 25	1.050	35	F, class 155	19.0	③	7.8 x 7.3 x 4.4
LR3 48-5/40	30	0.920	40	F, class 155	19.1	③	7.8 x 7.3 x 4.4
LR3 48-5/45	30	0.817	45	F, class 155	23.6	③	8.1 x 7.3 x 4.8
LR3 48-5/50	30 - 40	0.735	50	F, class 155	24.0	④	9.4 x 8.3 x 4.6
LR3 48-5/63	40	0.584	63	F, class 155	28.2	④	9.3 x 8.3 x 4.9
LR3 48-5/70	50	0.525	70	F, class 155	33.2	④	9.4 x 8.3 x 5.3
LR3 48-5/80	50 - 60	0.460	80	F, class 155	43.1	④	10.2 x 9.1 x 5.9
LR3 48-5/90	60 - 75	0.408	90	F, class 155	50.0	⑤	7.9 x 10.5 x 5.5
LR3 48-5/100	75	0.368	100	F, class 155	53.6	⑤	8.3 x 11.5 x 5.5
LR3 48-5/115	75	0.320	115	F, class 155	71.0	⑤	9.2 x 8.6 x 5.2
LR3 48-5/125	100	0.294	125	H, class 180	71.7	⑤	9.2 x 8.6 x 5.2
LR3 48-5/160	125	0.230	160	H, class 180	79.8	⑤	10.4 x 13.9 x 5.7
LR3 48-5/180	125 - 150	0.204	180	H, class 180	111.5	⑤	10.4 x 13.9 x 6.6
LR3 48-5/200	150	0.184	200	F, class 155	113.0	⑤	10.4 x 13.9 x 6.6
LR3 48-5/250	200	0.147	250	F, class 155	127.9	⑤	10.5 x 13.9 x 7.2
LR3 48-5/300	250	0.123	300	F, class 155	136.8	⑤	10.5 x 13.9 x 7.7
LR3 48-5/400	350	0.092	400	F, class 155	165.7	⑤	12.5 x 16.2 x 6.8
LR3 48-5/500	400	0.074	500	H, class 180	171.7	⑤	12.5 x 16.2 x 6.8
LR3 48-5/630	450	0.059	630	H, class 180	198.1	⑤	14.6 x 18.9 x 6.1
LR3 48-5/710	500	0.052	710	H, class 180	227.9	⑤	14.6 x 18.9 x 6.5
LR3 48-5/800	750	0.046	800	H, class 180	332.7	⑤	16.5 x 21.7 x 8.5
LR3 48-5/1000	800	0.037	1000	H, class 180	296.4	⑤	16.5 x 21.7 x 8.5
LR3 48-5/1200	1000	0.031	1200	H, class 180	430.1	⑤	16.5 x 21.7 x 10.8
LR3 48-5/1400	1200	0.026	1400	H, class 180	466.8	⑤	18.3 x 21.3 x 10.6
LR3 48-5/1600	1400	0.023	1600	H, class 180	759.5	⑤	18.3 x 21.3 x 10.6

RESEARCH, DEVELOPMENT, PRODUCTION, TEST SYSTEMS, LOGISTICS – EVERYTHING UNDER ONE ROOF, MADE BY BLOCK



VACUUM PRESSURE IMPREGNATION
SHOCK AND VIBRATION TEST
3D CONSTRUCTION
METAL PROCESSING
SIMULATION TECHNOLOGY
WINDING TECHNOLOGY
LOADING BAY

A GLOBAL COMPANY
UNA COMPAÑÍA GLOBAL



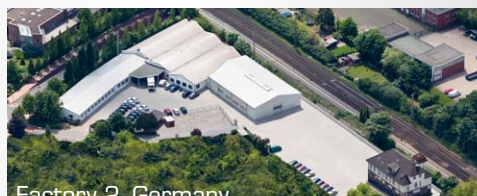
- Headquarter and production sites Matriz y sitios de producción
- Production sites Sitios de producción
- Subsidiaries Subsidiarias
- International agencies Agentes internacionales



Factory, USA



Factory 1, Germany



Factory 2, Germany

BLOCK USA, Inc.
10632 W. Grand Avenue
Franklin Park, IL 60131 • USA
Phone +1 847 260 9050
Fax +1 847 628 0606
info@blockusa.com
www.blockusa.com

BLOCK 
blockusa.com