

Isolating transformer TT3 10-4-4



Picture shows TT3 10-4-4

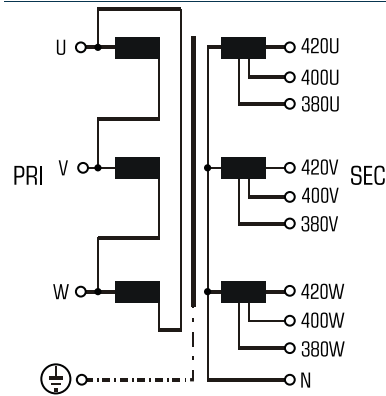
Advantages

Safe galvanic isolation
Patented assembly technology to lower heat losses
Very good corrosion protection and low noise thanks to BLOCK IMPEX vacuum impregnation
Secondary side $\pm 5\%$ tapings for voltage adjustment
Fixed, contact protected screw connection terminals complying with UVV BGV A3
Multi-functional mounting brackets with 12 slots
Enlarged mounting bracket for easy installation from above
Integrated crane eyes

Applications

Isolating transformer for the safe electrical isolation of the input and output sides. The transformer may be used to set up protective separation as a protective measure in accordance with VDE 0100.

Sample application



Standards

Isolating transformer
to: VDE 0570 Part2-4, DIN EN 61558-2-4, EN 61558-2-4, IEC 61558-2-4, UL 5085-1/-2, CSA 22.2 No.66

Approvals



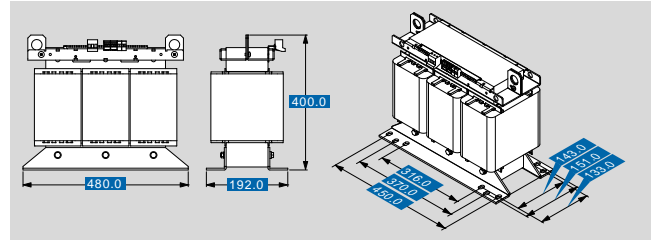
UL 1561, CSA 22,2 (E 327358)



Isolating transformer TT3 10-4-4

Electrical data	
Type	TT3 10-4-4
Input	
Rated input voltage	3 x 400 Vac
Rated frequency	50 - 60 Hz
Output	
Rated output voltage	3 x 400 Vac
Tappings Output (±)	±5 %
Rated Power	10,000 VA
Rated current	3 x 15.1 Aac (3 x 380 Vac) 3 x 14.4 Aac (3 x 400 Vac) 3 x 13.8 Aac (3 x 420 Vac)
Power loss	350.0 W
Short circuit voltage	1.9 %
Vector group	Dyn 5
Efficiency	96.5 %
Approvals	
Approvals	cURus
Environment	
Ambient temperature max.	50 °C
Safety and protection	
Insulation class	VDE=F, UL=class 155
Protection index	IP 00
Safety class (prepared)	I
Type	Open type
Short circuit strength	non-short-circuit proof
Order numbers	
Recommended enclosure	
Order Number	TT3 10-4-4

Mechanical data	
Type	TT3 10-4-4
Terminal and mounting	
Fixing method	Fixing rail
Fixing screws	M10
Terminals Input	Screw clamp, 10 mm ²
Terminals Output	Screw clamp, 4 mm ²
Terminals PE	Screw-type terminal, 4 mm ²
Measures and weights	
Core type	3UI 210/73
Weight	87.00 kg



Subject to change.