

Isolating transformer TT3 25-4-4



Picture shows TT3 10-4-4

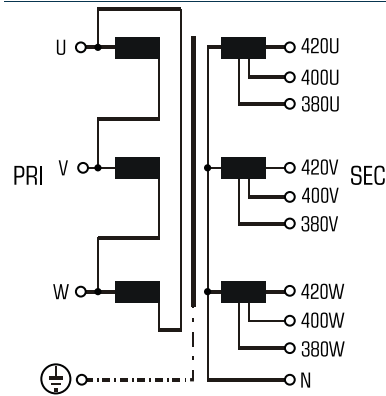
Advantages

Safe galvanic isolation
Patented assembly technology to lower heat losses
Very good corrosion protection and low noise thanks to vacuum impregnation
Secondary side $\pm 5\%$ tapplings for voltage adjustment
Fixed, contact protected screw connection terminals complying with UVV BGV A3
Multifunctional fixing rails with 12 oval slots
Enlarged fixing rail for easy installation from above
Integrated crane eyes

Applications

Isolating transformer for the safe electrical isolation of the input and output sides. The transformer may be used to set up protective separation as a protective measure in accordance with VDE 0100.

Sample application



Standards

Isolating transformer
to: VDE 0570 Part2-4, DIN EN 61558-2-4, EN 61558-2-4, IEC 61558-2-4, UL 5085-1/-2, CSA 22.2 No.66

Approvals



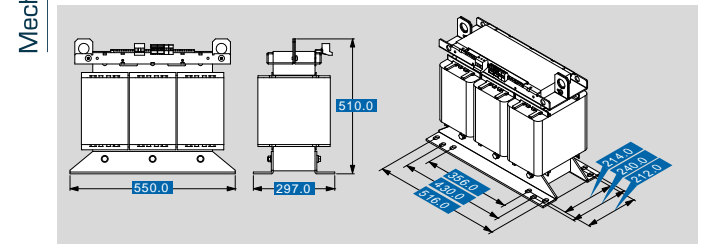
UL 1561, CSA 22,2 (E 327358)



Isolating transformer TT3 25-4-4

Type		TT3 25-4-4
Electrical data	Input	
	Rated input voltage	3 x 400 Vac
	Rated frequency	50 - 60 Hz
	Output	
	Rated output voltage	3 x 400 Vac
	Tappings Output (±)	±5 %
	Rated Power	25,000 VA
	Rated current	3 x 38.1 Aac (3 x 380 Vac)
		3 x 36.1 Aac (3 x 400 Vac)
		3 x 34.4 Aac (3 x 420 Vac)
	Power loss	604.0 W
	Short circuit voltage	1.2 %
	Vector group	Dyn 5
	Efficiency	97.5 %
	Approvals	
Approvals	cURus	
Environment		
Ambient temperature max.	50 °C	
Safety and protection		
Insulation class	VDE=F, UL=class 155	
Protection index	IP 00	
Safety class (prepared)	I	
Type	Open type	
Short circuit strength	non-short-circuit proof	
Order numbers		
Recommended enclosure	BGE-080	
Order Number	TT3 25-4-4	

Type		TT3 25-4-4
Terminal and mounting	Fixing method	Fixing rail
	Fixing screws	M12
Measures and weights	Terminals	Screw-type terminal
	Core type	3UI 240/140
Weight		205.00 kg



Subject to change.