

Control- and isolating transformer ST 800/23/23



Picture shows ST 160/23-23

Advantages

Reduced inrush current
High power density due to a compact construction design
Primary side $\pm 5\%$ taps for voltage adjustment
Very good corrosion protection and low noise due to BLOCK IMPEX vacuum impregnation
Contact protected screw connection terminals complying with UVV BGV A3
Simple mounting due to robust metal footplate with oval slots

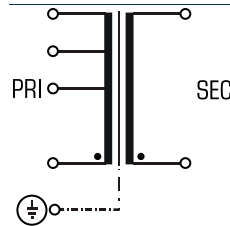
Applications

As a control transformer for the electrical isolation of the input and output sides. The construction of the transformer is designed to supply control systems according to EN 60204.

As an isolating transformer for the safe electrical isolation of the input and output sides. The transformer may be used to set up protective separation as a protective measure in accordance with VDE 0100.

As a safety isolating transformer for the safe electrical isolation of the input and output sides. The transformer is suitable for creating SELV and PELV circuits because of the limit on the output voltage.

Sample application



Standards

Control transformer
to: VDE 0570 Teil 2-2, DIN EN 61558-2-2, EN 61558-2-2, IEC 61558-2-2,
UL 5085-1/-2, CSA 22.2 No.66
Isolating transformer
to: VDE 0570 Part 2-4, DIN EN 61558-2-4, EN 61558-2-4, IEC 61558-2-4,
UL 5085-1/-2, CSA 22.2 No.66

Approvals



VDE, UL 5085-1/-2, CSA 22.2 No.66

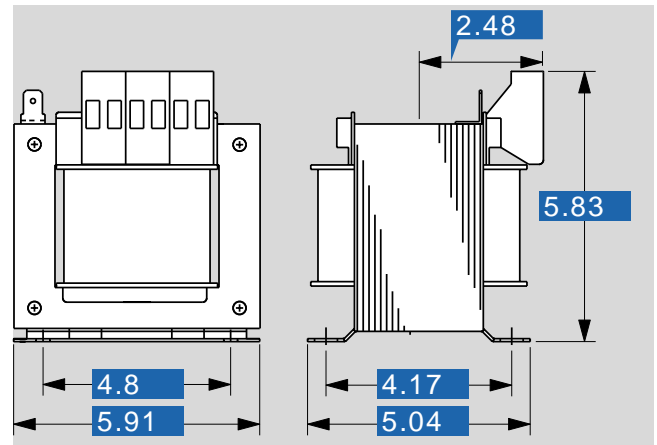


Control- and isolating transformer ST 800/23/23

Type		ST 800/23/23
Electrical data	Input	
	Rated input voltage	230 Vac
	Tappings Input	±5 %
	Rated frequency	50 - 60 Hz
	Output	
	Rated output voltage	230 Vac
	Rated power VDE (DB cos phi=1)	800 VA
	Rated power VDE (KB cos phi=0.5)	2,000 VA
	No-load voltage (app. x factor)	1.04
	Efficiency	92 %
UL Derating	630 VA	
Standards		
Classification	Control- and isolating transformer	
Approvals		
Approvals	cURus, VDE	
Environment		
Ambient temperature max.	104.0 °F	
Type of cooling	by self-cooling	
Safety and protection		
Type	Open type	
Insulation class	VDE=B, UL=class 105	
Protection index	IP 00	
Safety class (prepared)	I	
Short circuit strength	non-short-circuit proof	
PRI Fusing recommendation by circuit breaker with tripping characteristic type 20 x I rated related to set)		
Setting range	2.50 - 4.00 A	
Setting value	3.7 A	
Order numbers		
Order Number	ST 800/23/23	

Type		ST 800/23/23	
Mechanical data	Terminal and mounting		
	Fixing method	Base plate	
	Fixing screws	M6	
	Terminals Input	Screw clamp, 4 mm ² + Tab connector, 6.3 x 0.8 mm	
	Terminals Output	Screw clamp, 4 mm ² + Tab connector, 6.3 x 0.8 mm	
	Connection type	Tab connector, 6.3 x 0.8 mm	
	Measures and weights		
	Weight	21.61 lbs	

Dimensions in inch



Subject to change.