

Single-phase, non-stabilized DC power supply GLC 230/24-7,5



Picture shows GLC 230/24-3

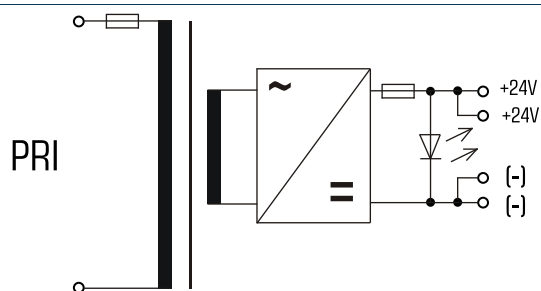
Advantages

- Fuse protection in the input and a fuse protection for the output
- Separate windings
- Capacitor switching at the output
- Double screw terminals on the output
- DC OK signaling via LEDs
- Panel installation on mounting rails

Applications

Robust DC power supply is concentrated on the core task of voltage and power supply.

Sample application



Standards

Non-stabilized dc power supply / Safety isolating transformer to VDE 0570 part 2-6, EN 61558-2-6, IEC 61558-2-6, UL 1012

Approvals



UL 5085-1/-2, CSA 22.2 No.66

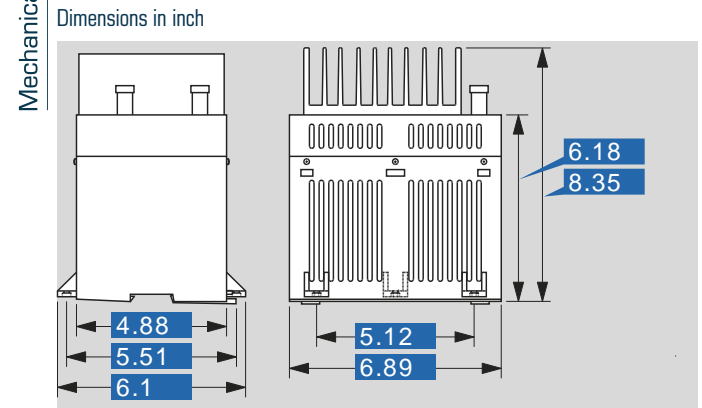


Single-phase, non-stabilized DC power supply

GLC 230/24-7,5

Type		GLC 230/24-7,5
Electrical data	Input	
	Input rated voltage	230 Vac
	Rated frequency	50 - 60 Hz
	Output	
	Output rated voltage	24 Vdc
	Power	180 W
	Output rated current	7,5 A
	Ripple factor	≤5 %
	Approvals	
	Approvals	cURus (transformer only)
Environment		
Type of cooling	self-cooling	
Ambient temperature max.	140 °F	
Safety and protection		
Insulation class	E	
Protection index	IP 00	
Safety class (prepared)	II	
Type	Enclosed	
Short circuit strength	short-circuit proof	
Order numbers		
Order Number		GLC 230/24-7,5

Type		GLC 230/24-7,5
Mechanical data	Terminal and mounting	
	Fixing method	DIN Rail system TS35, additional with screws
	Terminals	Screw-type terminals
	Measures and weights	
	Weight	14.33 lbs



Subject to change.