

# Control- and isolating transformer TT1 10-44-23



Picture shows TT1 20-4/23

## Advantages

Safe galvanic isolation
Patented assembly technology
Very good corrosion protection and low noise thanks to BLOCK IMPEX vacuum impregnation
Primary side $\pm 5\%$ tapplings for voltage adjustment
Fixed, contact protected screw connection terminals complying with UVV BGV A3
Multi-functional mounting brackets with 8 slots
Space saving, thanks to horizontal design
Integrated crane eyes
Non-slip terminals

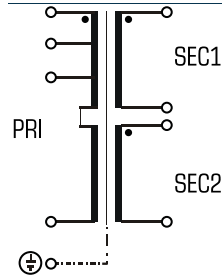
## Applications

Isolating transformer for the safe electrical isolation of the input and output sides. The transformer may be used to set up protective separation as a protective measure in accordance with VDE 0100.

As a control transformer for the electrical isolation of the input and output sides. The construction of the transformer is designed to supply control systems according to EN 60204.

As a safety isolating transformer for the safe electrical isolation of the input and output sides. The transformer is suitable for creating SELV and PELV circuits because of the limit on the output voltage.

## Sample application



## Standards

Control transformer  
to: VDE 0570 Teil 2-2, DIN EN 61558-2-2, EN 61558-2-2, IEC 61558-2-2,  
UL 5085-1/-2, CSA 22.2 No.66  
Isolating transformer  
to: VDE 0570 Part 2-4, DIN EN 61558-2-4, EN 61558-2-4, IEC 61558-2-4,  
UL 5085-1/-2, CSA 22.2 No.66

## Approvals



UL 5085, CSA 22.2 (E 103521)



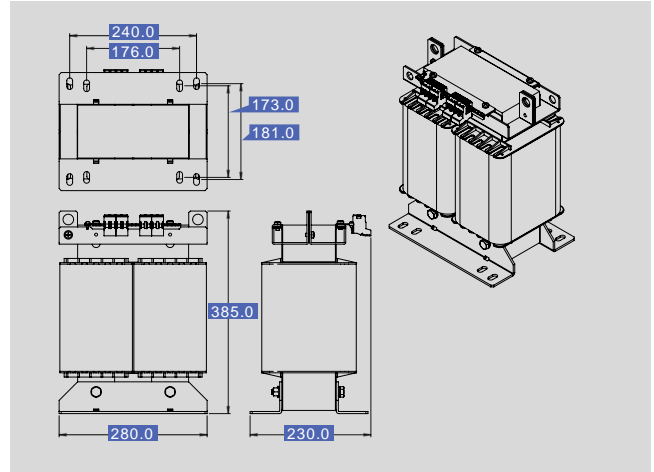
# Control- and isolating transformer

## TT1 10-44-23

Type		TT1 10-44-23
Electrical data	Input	
	Rated input current	24.2 A/23.2 A/22.2 Aac
	Rated input voltage	418/440/462 Vac
	Rated frequency	50 - 60 Hz
	Output	
	Rated output current	43.5 Aac
	Rated output voltage	2 x 115 Vac
	Rated power VDE (DB cos phi=1)	10,000 VA
	Rated power VDE (KB cos phi=0.5)	34,300 VA
	Short circuit voltage uK	ca. 1.5%
	Vector group	iii0
	Efficiency	97 %
	Standards	
	Classification	Control- and isolating transformer
	Approvals	
Approvals	cURus	
Environment		
Ambient temperature max.	40 °C	
Type of cooling	AN	
Safety and protection		
Insulation class	VDE=F, UL=class 155	
Protection index	IP 00 IPXXB on request	
Safety class (prepared)	I	
Type	Open type	
Short circuit strength	non-short-circuit proof	
Order numbers		
<b>Order Number</b>	<b>TT1 10-44-23</b>	

Type		TT1 10-44-23
Terminal and mounting	Fixing method	Fixing rail
	Fixing screws	M10
	Terminals Input	Screw clamp, 10 mm <sup>2</sup>
Terminals Output	Terminals Output	Screw clamp, 10 mm <sup>2</sup>
	Terminals PE	Screw-type terminal, 4 mm <sup>2</sup>
Measures and weights		
Core type		UI 210/103
Weight		75.0 kg

30 Mechanical data



Subject to change.