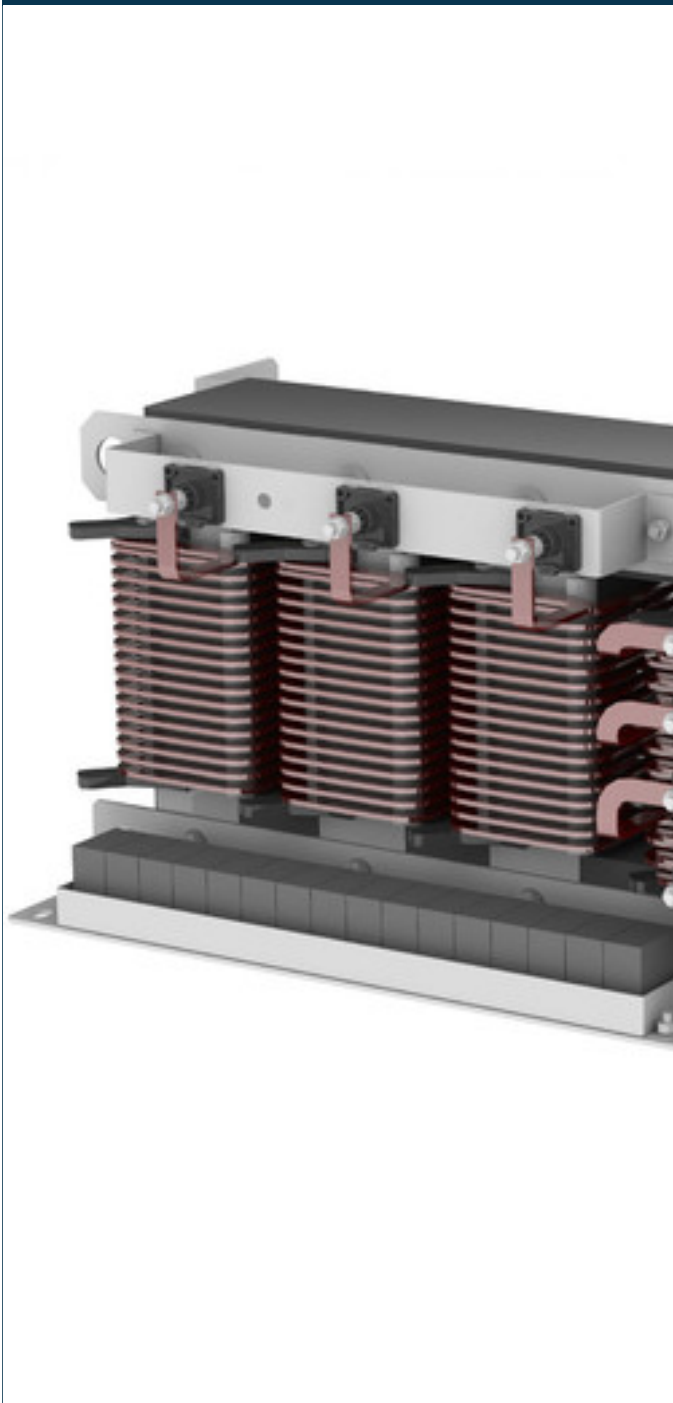


All-pole sine filter **SF4-CE110-500-0**



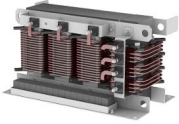
Advantages

Optimized drive efficiency
Unshielded motor wires can be used
Improves conducted and radiated electromagnetic interference (150 kHz - 300 MHz)
Major reduction of leakage currents
Elimination of bearing currents
Increase of motor lifetime

Applications

Sine filter for the suppression of differential mode interference and common mode interference.

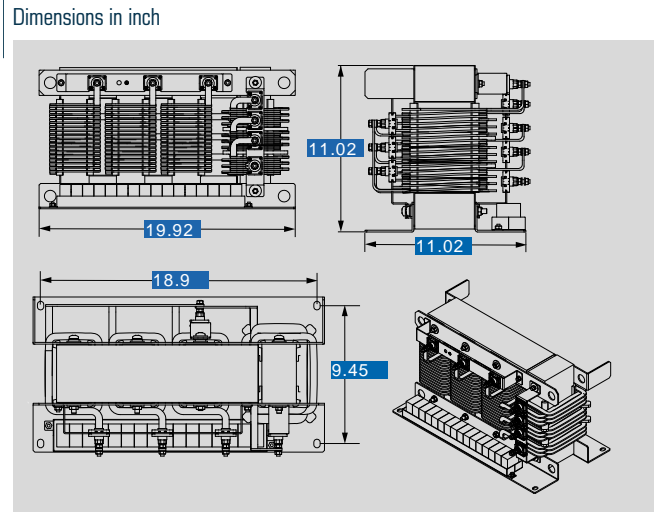
Approvals



All-pole sine filter SF4-CE110-500-0

Type		SF4-CE110-500-0
Electrical data	Operating data	
	Rated voltage	max. 3 x 500 Vac
	Rated frequency	5 - 150 Hz
	Voltage range	0 - 500 Vac
	Voltage drop	< 6.5 % @ 400 Vac
	Rated current	110 A (400 V ≥ 4 kHz) / 105 A (500 V ≥ 4 kHz)
	for motor rated output approx.	60.34 HP
	Output	
	Vector group	III
	Switching frequency	≥ 4 kHz
	Environment	
	Ambient temperature	14 °F - 113 °F
	Type of cooling	AN
	Safety and protection	
	Type	Metal enclosure
Protection index	IP 00	
Safety class (prepared)	I	
Insulation class	H	
Application range		
Order numbers		
Order Number	SF4-CE110-500-0	

Type		SF4-CE110-500-0
Mechanical data	Terminal and mounting	
	Terminals phase	Screw clamp, 95 mm ²
	Connection type	Bolt, M10
	Fixing method	Mounting lugs
	Fixing screws	M6
	Measures and weights	
	Weight	182.98 lbs



Subject to change.