

# Autotransformer JET 1000



Picture shows JET 1000

## Advantages

Integrated short-circuit and overload protection

Very high efficiency

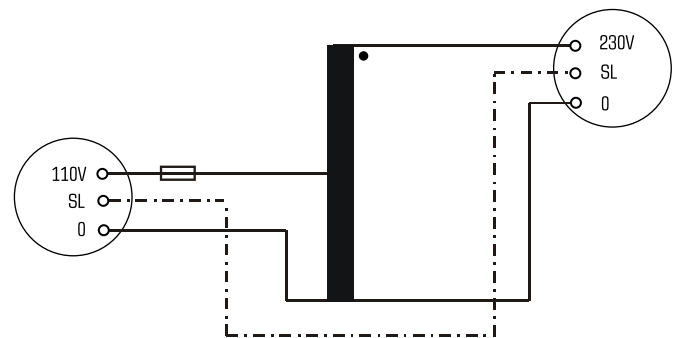
Very good moisture protection and low noise thanks to XtraDenseFill resin encapsulation

Carrying handle, mains connecting lead NEMA5-15 (USA) and socket for portable application

## Applications

Autotransformer for portable application for the adjustment of the voltage in 110 Vac networks to 230 Vac equipment when no electrical isolation is required. The specified protection class is only guaranteed if a plug with at least the protection class of the device is used.

## Sample application



## Standards

Autotransformer  
to: VDE 0570 Teil 2-13, DIN EN 61558-2-13, EN 61558-2-13,  
IEC 61558-2-13

## Approvals





# Autotransformer JET 1000



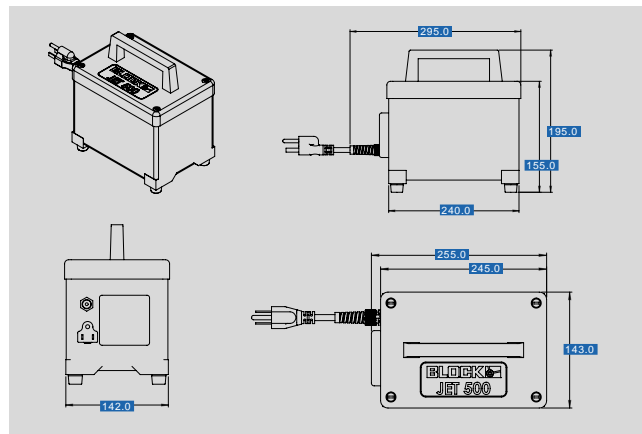
Electrical data

Type	JET 1000
<b>Input</b>	
Rated input voltage	110 Vac
Rated frequency	50 - 60 Hz
<b>Output</b>	
Rated output voltage	230 Vac
Rated Power	1,000 VA
No-load voltage (app. x factor)	1.03
Efficiency	96.0 %
<b>Environment</b>	
Ambient temperature max.	40 °C
<b>Safety and protection</b>	
Type	Resin encapsulated transformer
Insulation class	A
Protection index	IP 22
Safety class	I
Short circuit strength	non-inherently short-circuit proof
<b>Order numbers</b>	
<b>Order Number</b>	<b>JET 1000</b>



Mechanical data

Type	JET 1000
<b>Terminal and mounting</b>	
Terminals Input	Connecting cable with NEMAS-15 plug (USA)
Terminals Output	Protective contact socket
<b>Measures and weights</b>	
Weight	9.7 kg



Subject to change.